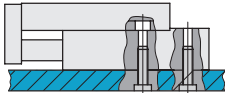
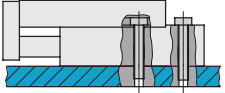
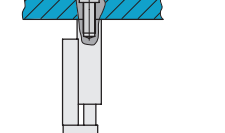


# FABCO-AIR FGXS Series Air Slide Tables

## Features

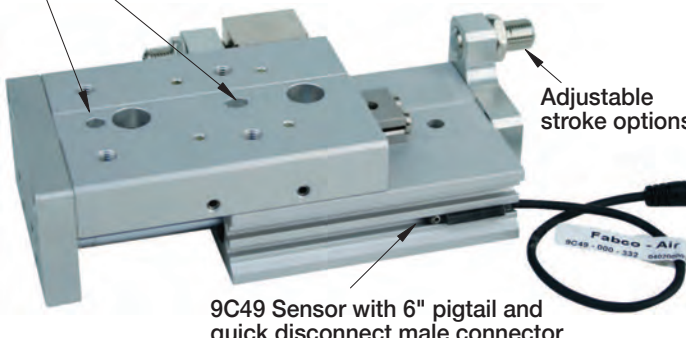
### Flexible mounting - 3 choices

1. Side mounting (body tapped)  

2. Side mounting (through hole)  

3. Axial mounting (body end tapped)  


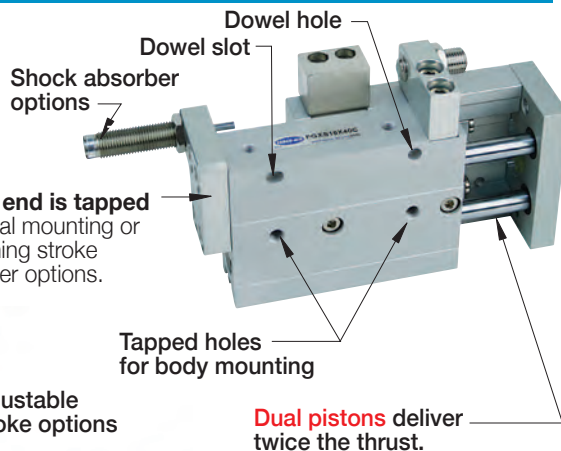
## Specifications

Min. operating pressure 20 psi  
 Max. operating pressure 100 psi  
 Temperature range 15°F ~ 175°F  
 Stroke tolerance +1.0mm, -0.

**Accurate, repeatable work piece mounting** Dowel hole and slot on table surface.



9C49 Sensor with 6" pigtail and quick disconnect male connector



Body end is tapped for axial mounting or attaching stroke adjuster options.

Dual pistons deliver twice the thrust.

Position sensing  
**Magnetic pistons are standard** on all table slides. Sensors are flush mountable in slot along body.

## How to order

**FGXS 20 X 10**

**Position sensors**

| Bore | Standard strokes (mm)                 | Stroke adjuster option |   |
|------|---------------------------------------|------------------------|---|
| ø6   | 10, 20, 30, 40, 50                    | blank                  | Without adjuster                        |
| ø8   | 10, 20, 30, 40, 50, 75                | A                      | Adjuster at extension end <sup>‡</sup>  |
| ø12  | 10, 20, 30, 40, 50, 75, 100           | B                      | Adjuster at retraction end <sup>‡</sup> |
| ø16  | 10, 20, 30, 40, 50, 75, 100, 125      | C                      | Adjuster at both ends <sup>‡</sup>      |
| ø20  | 10, 20, 30, 40, 50, 75, 100, 125, 150 | D                      | Absorber at extension end <sup>†</sup>  |
| ø25  | 10, 20, 30, 40, 50, 75, 100, 125, 150 | E                      | Absorber at retraction end <sup>†</sup> |
|      |                                       | F                      | Absorber at both ends <sup>†</sup>      |

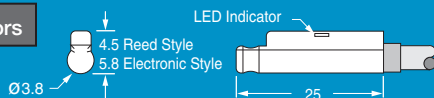
Consult factory for non-standard strokes.

**9C49 Series Sensors**  
 Order sensors and cord sets separately from pricing and specs shown below.

\*Note: Specify 5, 15 or 25 mm adjustment (5 or 15 mm only for ø6)

†Note: Not available for ø6 bore

### 9C49 Sensors



All 9C49 sensors feature surge protection, polarity protection, LED indicator, and extremely fast switching speeds.

| Female Cord Sets | Part No. | Price |
|------------------|----------|-------|
| 1 Meter          | CFC-1M   | -     |
| 2 Meters         | CFC-2M   | -     |
| 5 Meters         | CFC-5M   | -     |

| 9C49 Sensor Selection Guide |   | Prewired 9 ft. Leadwire Part No. | Price | Quick Disconnect* Part No. | Price |
|-----------------------------|---|----------------------------------|-------|----------------------------|-------|
| Sensor Type                 | Electrical Characteristics  |                                  |       |                            |       |
| Reed (LED)                  | 5-120 VDC/VAC, 0.04 Amp max, 0.005 Amp min current, 4 Watt max., 2.5 voltage drop | 9C49-000-002                     | -     | 9C49-000-302               | -     |
| Electronic (LED)            | Sourcing PNP 6-30 VDC, 0.2 Amp max current, 6 Watt max., 1.5 voltage drop         | 9C49-000-031                     | -     | 9C49-000-331               | -     |
| Electronic (LED)            | Sinking NPN 6-30 VDC, 0.2 Amp max current, 6 Watt max., 1.5 voltage drop          | 9C49-000-032                     | -     | 9C49-000-332               | -     |

\*Note: All quick disconnect style sensors are supplied with 6 inch pigtail with male connector.

**Get complete technical info fast. Need a special?**  
 Email us at [service@fabco-air.com](mailto:service@fabco-air.com)

# FABCO-AIR FGXS Series

Bore sizes ø6, ø8 and ø12 – Dimensions

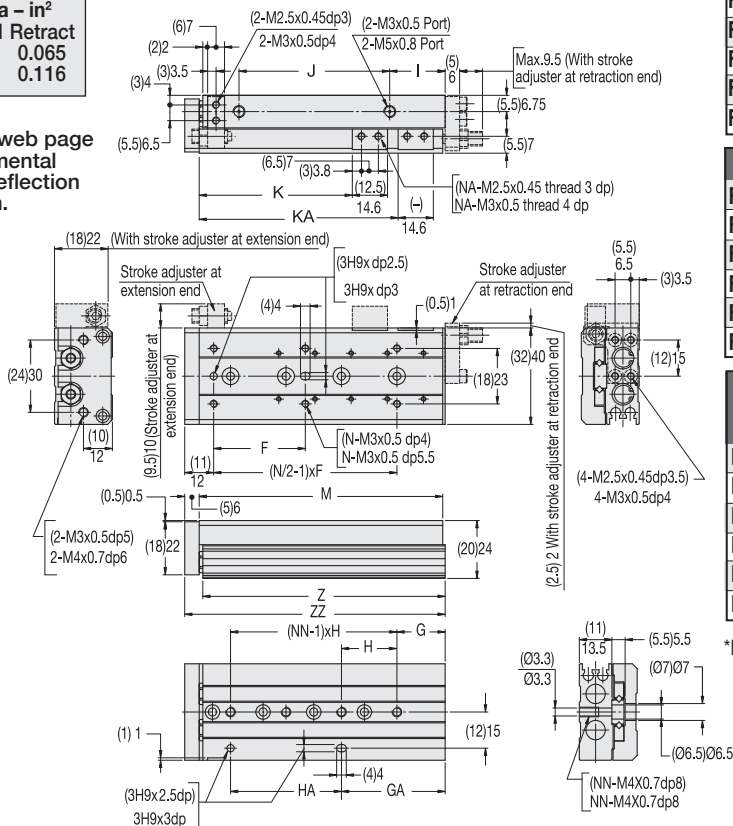
## (FGXS6+), FGXS8

\*Note: ø6 Bore dimensions are shown in parentheses.  
(-) indicates not applicable.

### Dimensions (mm)

|                               |         |
|-------------------------------|---------|
| Piston Area – in <sup>2</sup> |         |
| Extend                        | Retract |
| ø6 0.088                      | 0.065   |
| ø8 0.156                      | 0.116   |

See FGXS web page for supplemental load and deflection information.



| Model    | F(ø6)ø8 | N(ø6)ø8 | G(ø6)ø8 | H(ø6)ø8 | NN(ø6)ø8 | GA(ø6)ø8 |
|----------|---------|---------|---------|---------|----------|----------|
| FGXS□-10 | (20)25  | (4)4    | (6)9    | (25)28  | (2)2     | (11)17   |
| FGXS□-20 | (30)25  | (4)4    | (6)12   | (35)30  | (2)2     | (21)12   |
| FGXS□-30 | (20)40  | (6)4    | (11)13  | (20)20  | (3)3     | (31)33   |
| FGXS□-40 | (28)50  | (6)4    | (13)15  | (30)28  | (3)3     | (43)43   |
| FGXS□-50 | (38)38  | (6)6    | (17)20  | (24)23  | (4)4     | (41)41   |
| FGXS□-75 | (-)50   | (-)6    | (-)27   | (-)28   | (-)5     | (-)83    |

| Model    | HA(ø6)ø8 | I(ø6)ø8  | J(ø6)ø8  | K(ø6)ø8    | KAø8* | NA(ø6)ø8* |
|----------|----------|----------|----------|------------|-------|-----------|
| FGXS□-10 | (20)20   | (10)5.5  | (17)28   | (22.5)23.5 | -     | (2)2      |
| FGXS□-20 | (20)30   | (10)6    | (27)32.5 | (32.5)33.5 | -     | (2)2      |
| FGXS□-30 | (20)20   | (7)7     | (40)42.5 | (42.5)43.5 | -     | (2)2      |
| FGXS□-40 | (30)28   | (19)10.5 | (50)57   | (52.5)53.5 | -     | (2)2      |
| FGXS□-50 | (48)46   | (25)23   | (60)62.5 | (62.5)63.5 | 82.5  | (2)4      |
| FGXS□-75 | (-)56    | (-)38.5  | (-)95.5  | (-)88.5    | 132.5 | (-)4      |

| Model    | M(ø6)ø8  | Z(ø6)ø8     | ZZ(ø6)ø8 | Shock Absorber Info* |               |          |
|----------|----------|-------------|----------|----------------------|---------------|----------|
|          |          |             |          | Extend Range         | Retract Range | 'A' Dim. |
| FGXS□-10 | (42)49   | (41.5)48.5  | (48)56   | 20                   | 5             | 22       |
| FGXS□-20 | (52)54   | (51.5)53.5  | (58)61   | 20                   | 15            | 27       |
| FGXS□-30 | (62)65   | (61.5)64.5  | (68)72   | 20                   | 15            | 26       |
| FGXS□-40 | (84)83   | (83.5)82.5  | (90)90   | 20                   | 5             | 18       |
| FGXS□-50 | (100)101 | (99.5)100.5 | (106)108 | 20                   | 20            | 29       |
| FGXS□-75 | (-)151   | (-)150.5    | (-)158   | 20                   | 20            | 29       |

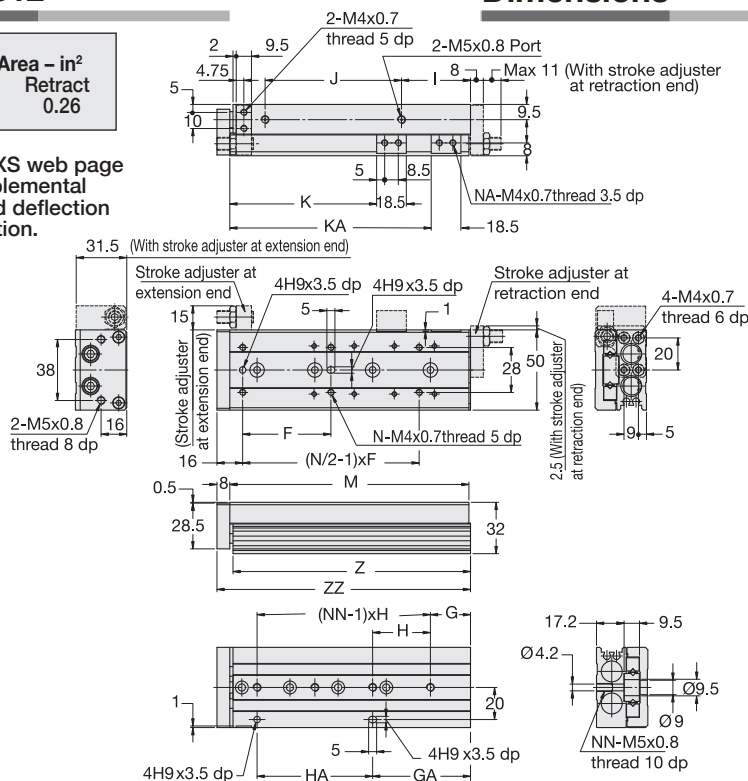
\*Note: See page 4 for shock absorber mounting dimensions.  
Shock absorbers not available for ø6 bores.

## FGXS12

|                               |         |
|-------------------------------|---------|
| Piston Area – in <sup>2</sup> |         |
| Extend                        | Retract |
| 0.35                          | 0.26    |

See FGXS web page for supplemental load and deflection information.

### Dimensions (mm)



| Model      | F  | N | G  | H  | NN | GA  |
|------------|----|---|----|----|----|-----|
| FGXS12-10  | 35 | 4 | 15 | 40 | 2  | 15  |
| FGXS12-20  | 35 | 4 | 15 | 40 | 2  | 15  |
| FGXS12-30  | 35 | 4 | 15 | 40 | 2  | 15  |
| FGXS12-40  | 50 | 4 | 17 | 25 | 3  | 42  |
| FGXS12-50  | 35 | 6 | 15 | 36 | 3  | 51  |
| FGXS12-75  | 55 | 6 | 25 | 36 | 4  | 61  |
| FGXS12-100 | 65 | 6 | 35 | 38 | 5  | 111 |

| Model      | HA | I  | J   | K     | KA    | NA |
|------------|----|----|-----|-------|-------|----|
| FGXS12-10  | 40 | 10 | 40  | 26.5  | -     | 2  |
| FGXS12-20  | 40 | 10 | 40  | 36.5  | -     | 2  |
| FGXS12-30  | 40 | 10 | 40  | 46.5  | -     | 2  |
| FGXS12-40  | 25 | 10 | 52  | 56.5  | -     | 2  |
| FGXS12-50  | 36 | 22 | 60  | 66.5  | -     | 2  |
| FGXS12-75  | 72 | 43 | 85  | 91.5  | 125.5 | 4  |
| FGXS12-100 | 76 | 52 | 130 | 116.5 | 179.5 | 4  |

| Model      | M   | Z   | ZZ  | Shock Absorber Info* |               |          |
|------------|-----|-----|-----|----------------------|---------------|----------|
|            |     |     |     | Extend Range         | Retract Range | 'A' Dim. |
| FGXS12-10  | 71  | 70  | 80  | 20                   | 2             | 7        |
| FGXS12-20  | 71  | 70  | 80  | 20                   | 5             | 17       |
| FGXS12-30  | 71  | 70  | 80  | 20                   | 15            | 27       |
| FGXS12-40  | 83  | 82  | 92  | 20                   | 15            | 25       |
| FGXS12-50  | 103 | 102 | 112 | 20                   | 5             | 15       |
| FGXS12-75  | 149 | 148 | 158 | 20                   | 15            | 28       |
| FGXS12-100 | 203 | 202 | 212 | 20                   | 15            | 28       |

\*Note: See page 4 for shock absorber mounting dimensions.

# FABCO-AIR

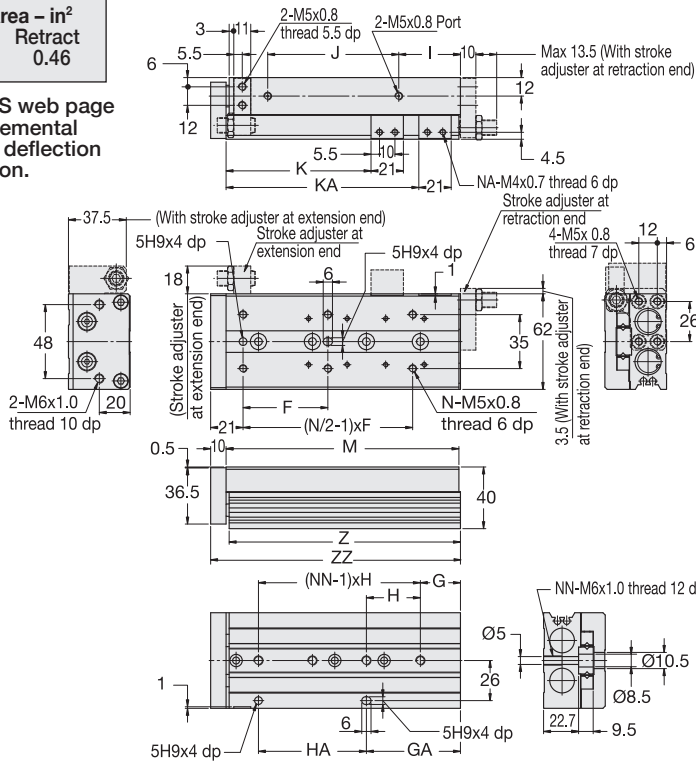
## FGXS Series

Bore sizes  $\varnothing 16$  and  $\varnothing 20$  – Dimensions

### FGXS16

Piston Area – in<sup>2</sup>  
Extend 0.62 Retract 0.46

See FGXS web page for supplemental load and deflection information.



### Dimensions (mm)

| Model      | F  | N | G  | H  | NN | GA  |
|------------|----|---|----|----|----|-----|
| FGXS16-10  | 35 | 4 | 16 | 40 | 2  | 16  |
| FGXS16-20  | 35 | 4 | 16 | 40 | 2  | 16  |
| FGXS16-30  | 35 | 4 | 16 | 40 | 2  | 16  |
| FGXS16-40  | 40 | 4 | 16 | 50 | 2  | 16  |
| FGXS16-50  | 30 | 6 | 21 | 30 | 3  | 51  |
| FGXS16-75  | 55 | 6 | 26 | 35 | 4  | 61  |
| FGXS16-100 | 65 | 6 | 39 | 35 | 5  | 109 |
| FGXS16-125 | 70 | 8 | 19 | 35 | 7  | 159 |

| Model      | HA | I  | J   | K   | KA  | NA |
|------------|----|----|-----|-----|-----|----|
| FGXS16-10  | 40 | 10 | 40  | 29  | -   | 2  |
| FGXS16-20  | 40 | 10 | 40  | 39  | -   | 2  |
| FGXS16-30  | 40 | 10 | 40  | 49  | -   | 2  |
| FGXS16-40  | 50 | 10 | 50  | 59  | -   | 2  |
| FGXS16-50  | 30 | 15 | 60  | 69  | -   | 2  |
| FGXS16-75  | 70 | 40 | 85  | 94  | 125 | 4  |
| FGXS16-100 | 70 | 55 | 118 | 119 | 173 | 4  |
| FGXS16-125 | 70 | 68 | 155 | 144 | 223 | 4  |

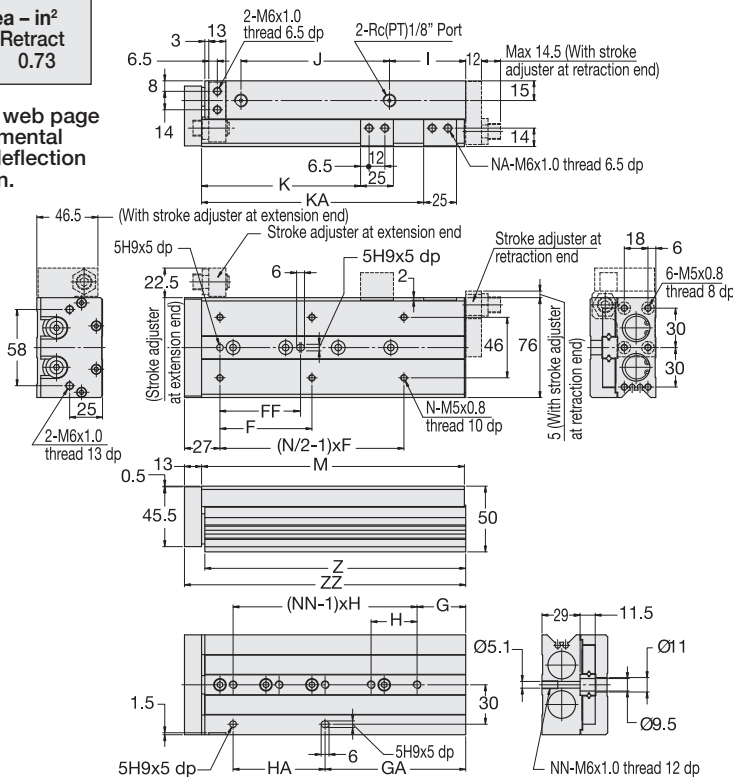
| Model      | M   | Z   | ZZ  | Shock Absorber Info* |               |          |
|------------|-----|-----|-----|----------------------|---------------|----------|
|            |     |     |     | Extend Range         | Retract Range | 'A' Dim. |
| FGXS16-10  | 76  | 75  | 87  | 25                   | 5             | 11       |
| FGXS16-20  | 76  | 75  | 87  | 25                   | 10            | 21       |
| FGXS16-30  | 76  | 75  | 87  | 25                   | 20            | 31       |
| FGXS16-40  | 86  | 85  | 97  | 25                   | 20            | 31       |
| FGXS16-50  | 101 | 100 | 112 | 25                   | 15            | 26       |
| FGXS16-75  | 151 | 150 | 162 | 25                   | 20            | 32       |
| FGXS16-100 | 199 | 198 | 210 | 25                   | 20            | 32       |
| FGXS16-125 | 249 | 248 | 260 | 25                   | 20            | 32       |

\*Note:  
See page 4 for shock absorber mounting dimensions.

### FGXS20

Piston Area – in<sup>2</sup>  
Extend 0.97 Retract 0.73

See FGXS web page for supplemental load and deflection information.



### Dimensions (mm)

| Model      | F  | FF | N | G  | H  | NN | GA  |
|------------|----|----|---|----|----|----|-----|
| FGXS20-10  | 50 | 40 | 4 | 15 | 45 | 2  | 25  |
| FGXS20-20  | 50 | 40 | 4 | 15 | 45 | 2  | 25  |
| FGXS20-30  | 50 | 40 | 4 | 15 | 45 | 2  | 25  |
| FGXS20-40  | 60 | 50 | 4 | 15 | 55 | 2  | 35  |
| FGXS20-50  | 35 | 35 | 6 | 15 | 35 | 3  | 50  |
| FGXS20-75  | 60 | 60 | 6 | 19 | 35 | 4  | 54  |
| FGXS20-100 | 70 | 70 | 6 | 37 | 35 | 5  | 107 |
| FGXS20-125 | 70 | 70 | 8 | 41 | 38 | 6  | 155 |
| FGXS20-150 | 80 | 80 | 8 | 19 | 44 | 7  | 195 |

| Model      | HA | I  | J   | K   | KA  | NA |
|------------|----|----|-----|-----|-----|----|
| FGXS20-10  | 35 | 10 | 44  | 31  | -   | 2  |
| FGXS20-20  | 35 | 10 | 44  | 41  | -   | 2  |
| FGXS20-30  | 35 | 10 | 44  | 51  | -   | 2  |
| FGXS20-40  | 35 | 10 | 54  | 61  | -   | 2  |
| FGXS20-50  | 35 | 10 | 69  | 71  | -   | 2  |
| FGXS20-75  | 70 | 10 | 108 | 96  | -   | 2  |
| FGXS20-100 | 70 | 58 | 113 | 121 | 169 | 4  |
| FGXS20-125 | 76 | 70 | 155 | 146 | 223 | 4  |
| FGXS20-150 | 88 | 87 | 190 | 171 | 275 | 4  |

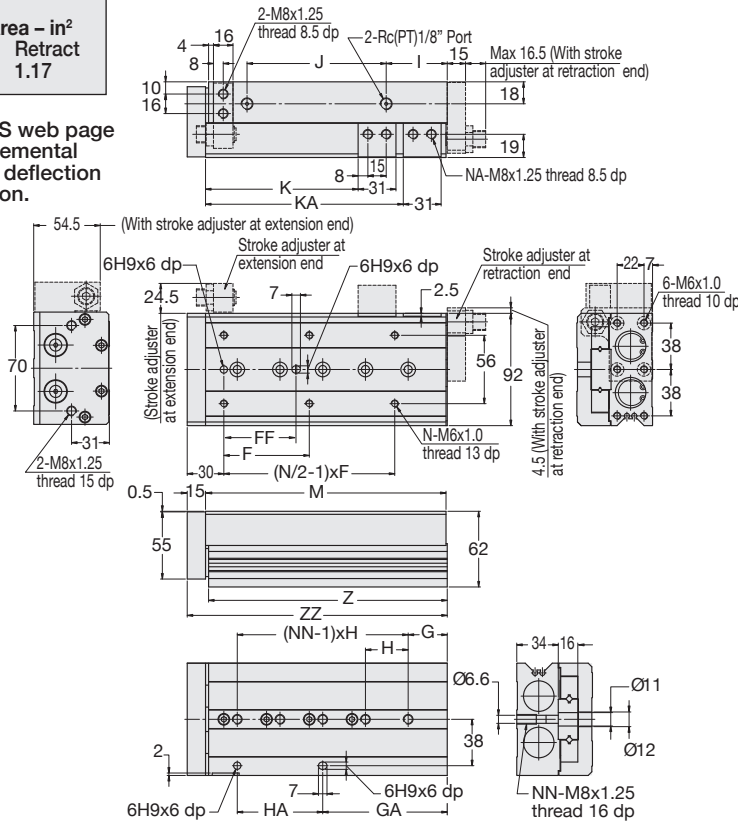
| Model      | M   | Z     | ZZ  | Shock Absorber Info* |               |          |
|------------|-----|-------|-----|----------------------|---------------|----------|
|            |     |       |     | Extend Range         | Retract Range | 'A' Dim. |
| FGXS20-10  | 83  | 81.5  | 97  | 40                   | 5             | 28       |
| FGXS20-20  | 83  | 81.5  | 97  | 40                   | 15            | 38       |
| FGXS20-30  | 83  | 81.5  | 97  | 40                   | 25            | 48       |
| FGXS20-40  | 93  | 91.5  | 107 | 40                   | 35            | 48       |
| FGXS20-50  | 108 | 106.5 | 122 | 40                   | 30            | 43       |
| FGXS20-75  | 147 | 145.5 | 161 | 40                   | 15            | 29       |
| FGXS20-100 | 200 | 198.5 | 214 | 40                   | 35            | 49       |
| FGXS20-125 | 254 | 252.5 | 268 | 40                   | 35            | 49       |
| FGXS20-150 | 306 | 304.5 | 320 | 40                   | 35            | 49       |

\*Note:  
See page 4 for shock absorber mounting dimensions.

## Bore sizes $\phi 25$ – Dimensions

**Piston Area – in<sup>2</sup>**  
Extend 1.52    Retract 1.17

See FGXS web page for supplemental load and deflection information.



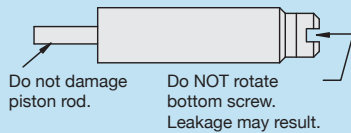
| Model      | F  | FF | N | G  | H  | NN | GA  |
|------------|----|----|---|----|----|----|-----|
| FGXS25-10  | 50 | 40 | 4 | 22 | 45 | 2  | 22  |
| FGXS25-20  | 50 | 40 | 4 | 22 | 45 | 2  | 22  |
| FGXS25-30  | 50 | 40 | 4 | 22 | 45 | 2  | 22  |
| FGXS25-40  | 60 | 50 | 4 | 22 | 55 | 2  | 22  |
| FGXS25-50  | 35 | 35 | 6 | 20 | 35 | 3  | 55  |
| FGXS25-75  | 60 | 60 | 6 | 26 | 35 | 4  | 61  |
| FGXS25-100 | 70 | 70 | 6 | 32 | 35 | 5  | 102 |
| FGXS25-125 | 75 | 75 | 8 | 40 | 38 | 6  | 154 |
| FGXS25-150 | 80 | 80 | 8 | 30 | 40 | 7  | 190 |

| Model      | HA | I  | J   | K   | KA  | NA |
|------------|----|----|-----|-----|-----|----|
| FGXS25-10  | 45 | 12 | 47  | 35  | -   | 2  |
| FGXS25-20  | 45 | 12 | 47  | 45  | -   | 2  |
| FGXS25-30  | 45 | 12 | 47  | 55  | -   | 2  |
| FGXS25-40  | 55 | 12 | 57  | 65  | -   | 2  |
| FGXS25-50  | 35 | 12 | 70  | 75  | -   | 2  |
| FGXS25-75  | 70 | 33 | 90  | 100 | -   | 2  |
| FGXS25-100 | 70 | 50 | 114 | 125 | 162 | 4  |
| FGXS25-125 | 76 | 67 | 155 | 150 | 218 | 4  |
| FGXS25-150 | 80 | 82 | 180 | 175 | 258 | 4  |

| Model      | M   | Z     | ZZ  | Shock Absorber Info* |               |          |
|------------|-----|-------|-----|----------------------|---------------|----------|
|            |     |       |     | Extend Range         | Retract Range | 'A' Dim. |
| FGXS25-10  | 92  | 90.5  | 108 | 35                   | 5             | 26       |
| FGXS25-20  | 92  | 90.5  | 108 | 35                   | 15            | 36       |
| FGXS25-30  | 92  | 90.5  | 108 | 35                   | 25            | 46       |
| FGXS25-40  | 102 | 100.5 | 118 | 35                   | 35            | 46       |
| FGXS25-50  | 115 | 113.5 | 131 | 35                   | 30            | 43       |
| FGXS25-75  | 156 | 154.5 | 172 | 35                   | 15            | 27       |
| FGXS25-100 | 197 | 195.5 | 213 | 35                   | 35            | 48       |
| FGXS25-125 | 255 | 253.5 | 271 | 35                   | 35            | 46       |
| FGXS25-150 | 295 | 293.5 | 311 | 35                   | 35            | 46       |

\*Note:  
See shock absorber mounting dimensions below.

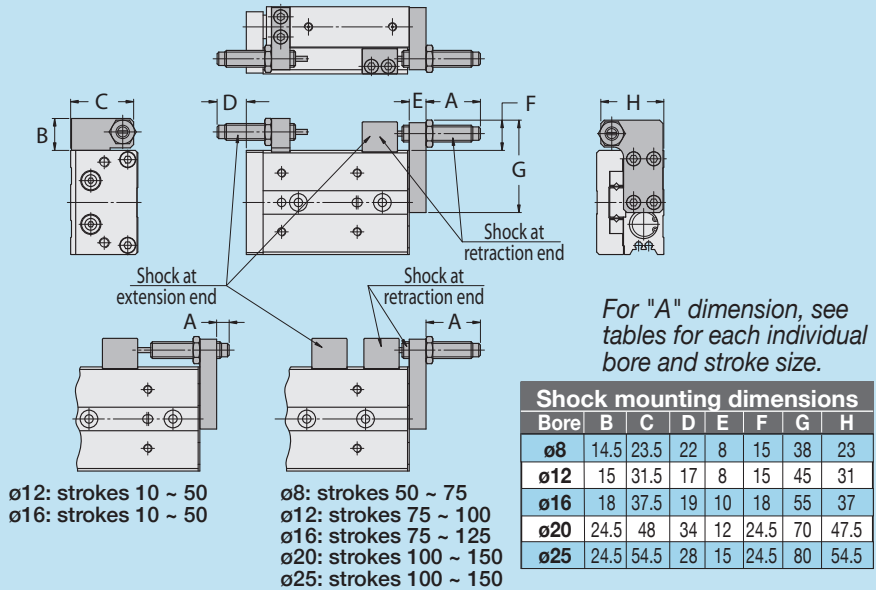
## Shock absorbers



| Shock absorbers |             |
|-----------------|-------------|
| For model       | Part number |
| FGXS8           | FSA0806-SN  |
| FGXS12          | FSA0806-SN  |
| FGXS16          | FSA1007-SN  |
| FGXS20          | FSA1412-SN  |
| FGXS25          | FSA1412-SN  |

| Lock nut tightening torque |                |
|----------------------------|----------------|
| Model                      | Max Nm (lb-in) |
| FGXS8<br>FGXS12            | 1.67 (14)      |
| FGXS16                     | 3.14 (27)      |
| FGXS20<br>FGXS25           | 10.8 (95)      |

## Shock absorber mounting dimensions



| Shock mounting dimensions |      |      |    |    |      |    |      |
|---------------------------|------|------|----|----|------|----|------|
| Bore                      | B    | C    | D  | E  | F    | G  | H    |
| $\phi 8$                  | 14.5 | 23.5 | 22 | 8  | 15   | 38 | 23   |
| $\phi 12$                 | 15   | 31.5 | 17 | 8  | 15   | 45 | 31   |
| $\phi 16$                 | 18   | 37.5 | 19 | 10 | 18   | 55 | 37   |
| $\phi 20$                 | 24.5 | 48   | 34 | 12 | 24.5 | 70 | 47.5 |
| $\phi 25$                 | 24.5 | 54.5 | 28 | 15 | 24.5 | 80 | 54.5 |