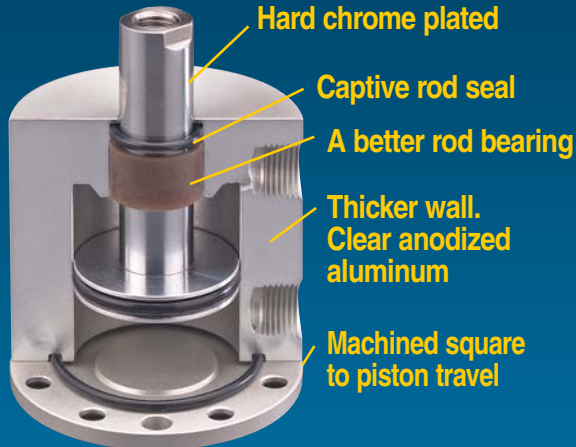


Short Stroke Air Cylinders

Since
1958



*Sealed to perfection. Designed to last.
Manufactured to exceed your expectations.
Guaranteed with a 2 year warranty!*



**Rugged, Reliable
Pancake® Cylinders**
with 2D and 3D Modeling

DELIVERY 1 TO 2 DAYS!

- Bores 1/2" to 4"; Strokes 1/16" to 4"
- Magnetic piston position sensing
- Non-rotating options
- Adjustable stroke models
- Force multiplying models
- 2 & 3 position models
- Easily repairable
- Specials built to your needs



FABCO-AIR, Inc. • 3716 N.E. 49th Ave., Gainesville, FL 32609
Phone 352-373-3578 • Fax 352-375-8024 • www.fabco-air.com