

# FKHQ Series

## Narrow Opening Parallel Grippers

**Prices effective  
 September 1, 2011**

### Features

1. Magnetic piston is standard feature.
2. Adding optional sensors enables "open" and "close" position sensing.
3. Compact design make grippers ideal for handling small parts in confined areas.
4. Gripper body is hardcoated aluminum ensuring abrasion and corrosion resistance.
5. No extra lubrication required.



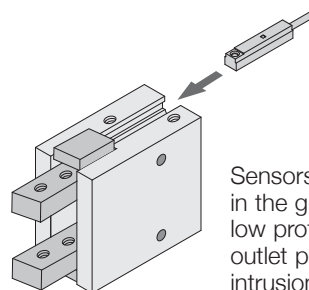
### Specifications

100 PSI MAX.

Model	FKHQ			
Action	Double acting			
Bore (mm)	ø10	ø16	ø20	ø25
Media	Compressed air			
Min. operating pressure	30 psi			
Max. operating pressure	0.7 MPa (7 kgf/cm <sup>2</sup> ) 100 psi			
Ambient & media temperature	-10°C(14°F) ~ +60°C(140°F) Use filtered dry air			
Lubrication	None required or use ISO VG32			
Port size	M3x0.5	M5x0.8		
Opening	Parallel - See dimensions pages 2 & 3			
Close - stroke (mm)	4.6	7.9	9.6	13.9
External grip force (lbf) *	2.4	7.6	9.4	14.6
Internal grip force (lbf) *	3.8	10.1	14.8	23.3
Weight g (ounce)	55(1.9)	115(4.1)	235(8.3)	430(15.2)

### Sensors

See specifications and prices in the sensor selection guides on page 3. Please order sensors and female cordsets separately.




Sensors fit into mating slots in the gripper housing. The low profile and in-line wire outlet provides minimal intrusion for close mounting of adjacent components.

\*Note: Grip force at 72 psi, at center of stroke and gripping point 20mm from gripper face.

### How to Order

**FKHQ - 16 D**

Series	Bore	Action
Narrow opening parallel jaw type 	ø10	D Double Acting
	ø16	
	ø20	
	ø25	

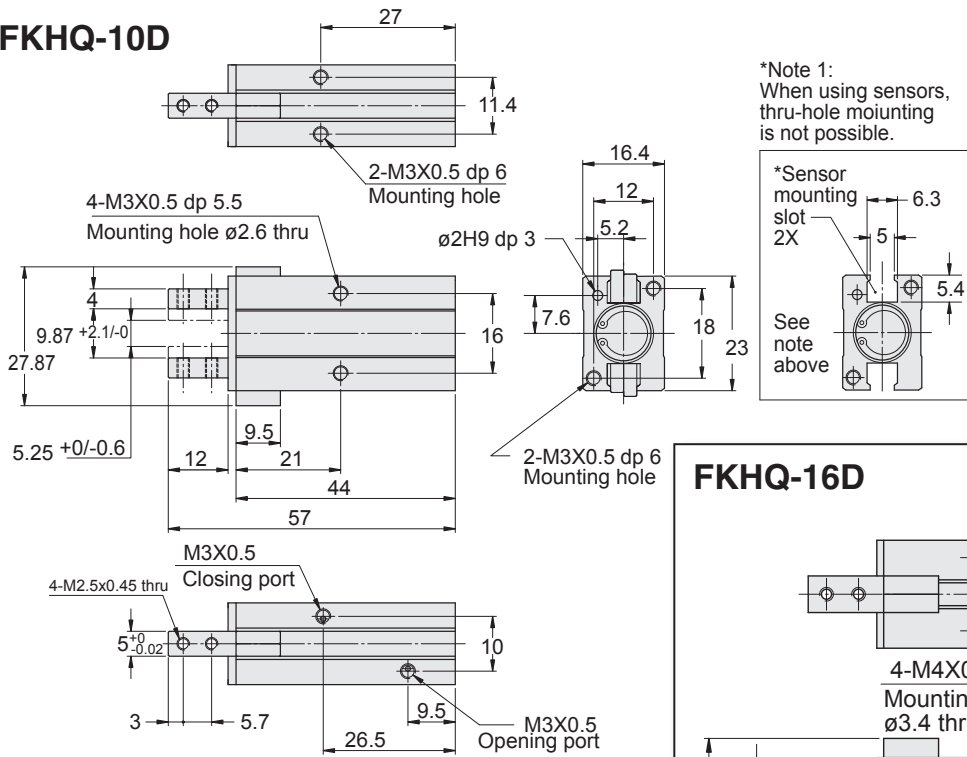
Specifications and prices subject to change without notice or incurring obligation.

### Prices

See sensor specifications, selection guide and pricing on page 3. Please order sensors and female cordsets separately.

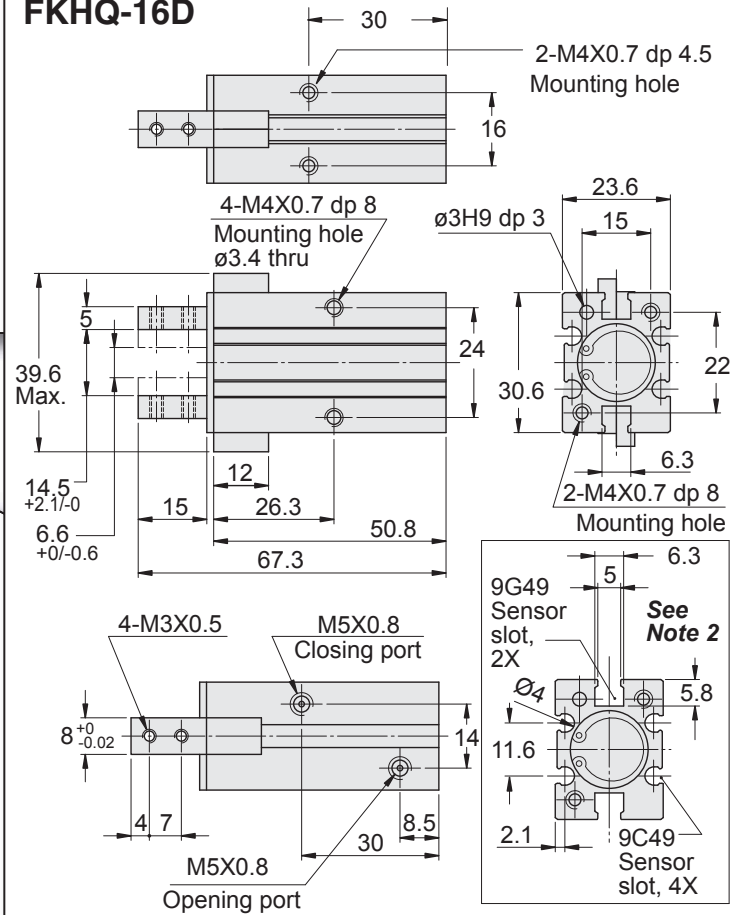
Model	Price
FKHQ-10D	\$134.65
FKHQ-16D	126.60
FKHQ-20D	180.40
FKHQ-25D	201.95

### FKHQ-10D

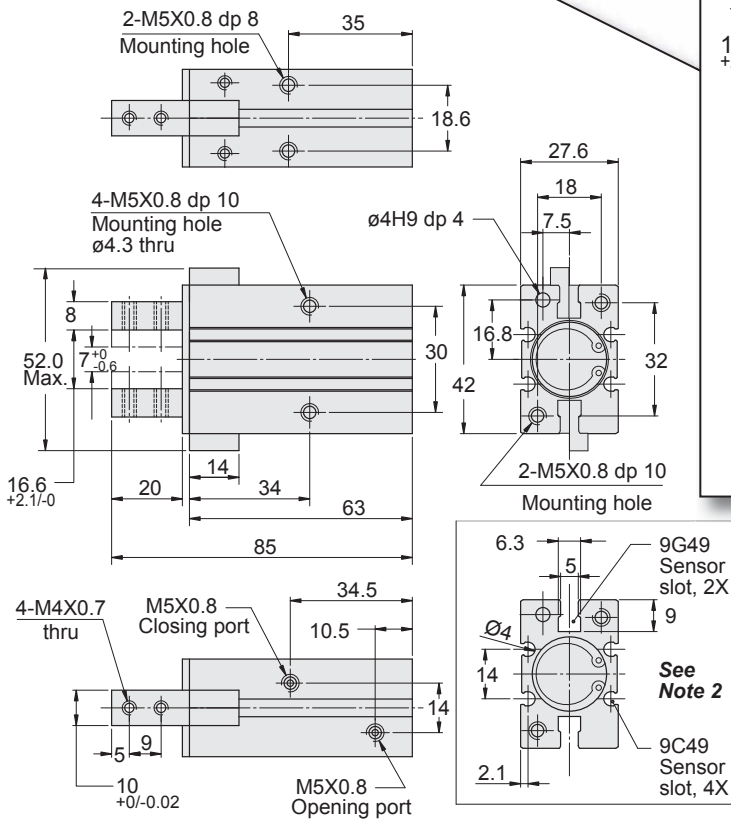


\*Note 1:  
 When using sensors,  
 thru-hole mounting  
 is not possible.

### FKHQ-16D



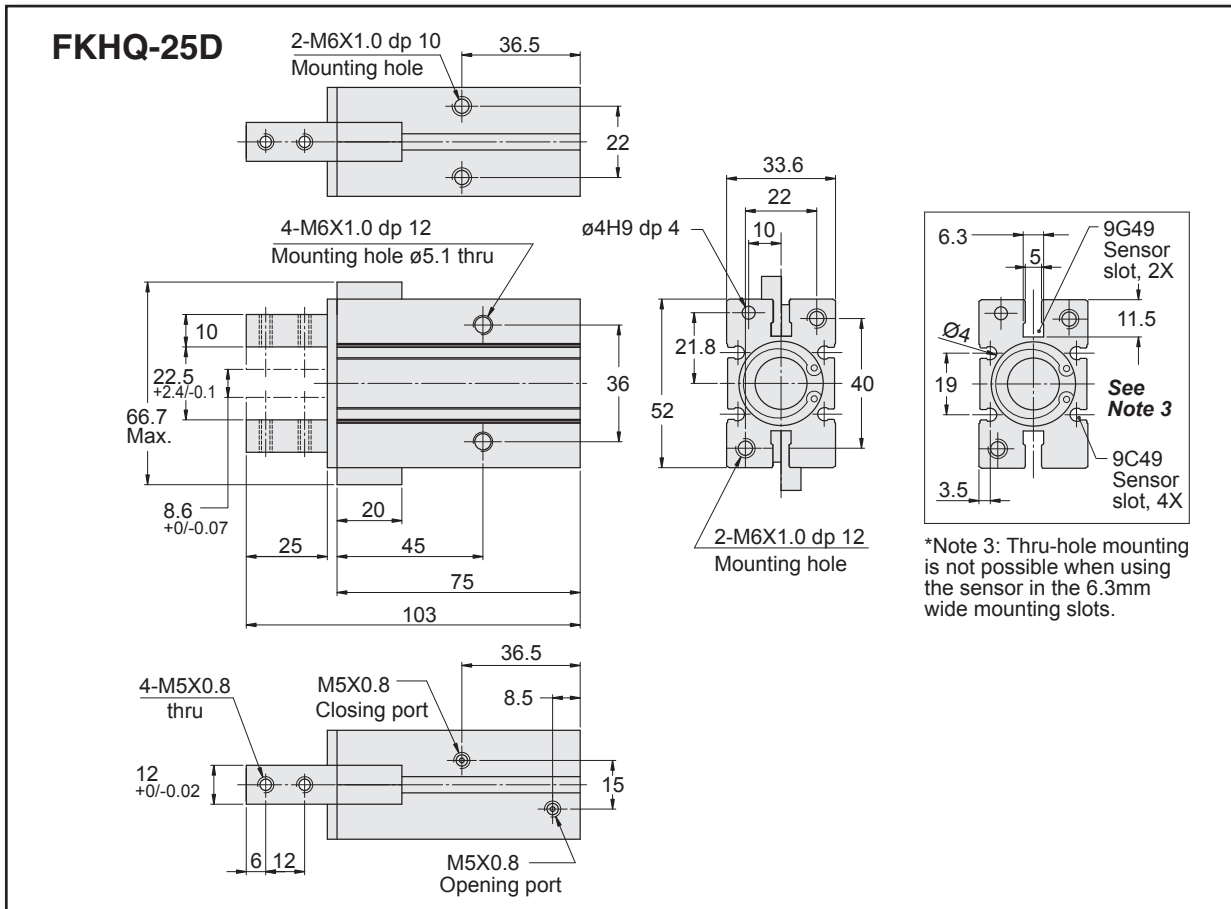
### FKHQ-20D



\*Note 2:  
 Thru-hole mounting is not possible when using  
 the sensor in the 6.3mm wide mounting slots.

Specifications and prices subject to change  
 without notice or incurring obligation.

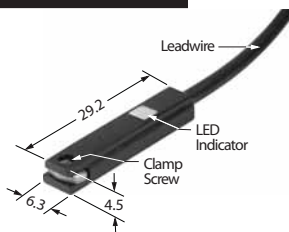
# FKHQ Series Dimensions (mm) & Sensor Selections



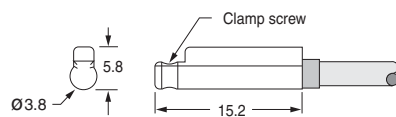
## Sensors

See specifications and prices in the sensor selection guides below. Please order sensors and female cordsets separately.

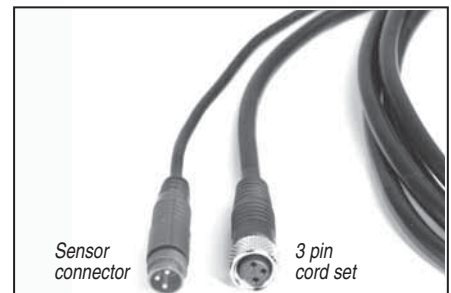
### 9G49 Sensors



### 9C49 Sensors



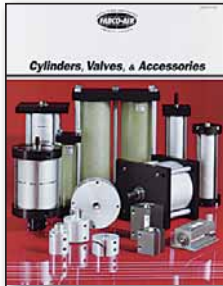
All 9C49 sensors feature surge protection, polarity protection, LED indicator, and extremely fast switching speeds.



Female Cord Sets	Part No.	Price
1 Meter	CFC-1M	\$15.05
2 Meters	CFC-2M	16.85
5 Meters	CFC-5M	21.30

9G49 Sensor Selection Guide for all bore sizes $\phi 10 \sim \phi 25$		Prewired 9 ft. Leadwire	Quick Disconnect*	
Sensor Type	Electrical Characteristics	Part No.	Part No.	
6.3 mm wide	Reed (LED)	5-120 VDC/VAC, 0.03 Amp max, 0.005 AMP min, 4 Watt max., 2.0 voltage drop	9G49-000-002 . . . . . \$14.70	9G49-000-302 ..... \$17.35
	Electronic (LED)	Sourcing PNP 5-28 VDC, 0.20 Amp max current, 0.5 voltage drop	9G49-000-031 . . . . . 28.80	9G49-000-331 ..... 31.45
	Electronic (LED)	Sinking NPN 5-28 VDC, 0.20 Amp max current, 0.5 voltage drop	9G49-000-032 . . . . . 28.80	9G49-000-332 ..... 31.45
9C49 Sensor Selection Guide for bore sizes $\phi 16 \sim \phi 25$		Prewired 9 ft. Leadwire	Quick Disconnect*	
Sensor Type	Electrical Characteristics	Part No.	Part No.	
4 mm round	Reed (LED)	5-120 VDC/VAC, 0.04 Amp max, 0.005 Amp min current, 4 Watt max., 2.5 voltage drop	9C49-000-002 . . . . . \$20.25	9C49-000-302 ..... \$27.00
	Electronic (LED)	Sourcing PNP 6-30 VDC, 0.2 Amp max current, 6 Watt max., 1.5 voltage drop	9C49-000-031 . . . . . 28.65	9C49-000-331 ..... 33.25
	Electronic (LED)	Sinking NPN 6-30 VDC, 0.2 Amp max current, 6 Watt max., 1.5 voltage drop	9C49-000-032 . . . . . 28.65	9C49-000-332 ..... 33.25

\*Note: All quick disconnect style sensors are supplied with 6 inch pigtail with male connector.



**Cylinders, Valves and Accessories**  
 Catalog #CV9



**Pancake® II Air Cylinders**  
 Catalog Pan2-2



**Square Pancake® II Air Cylinders**  
 Catalog # SqPan2



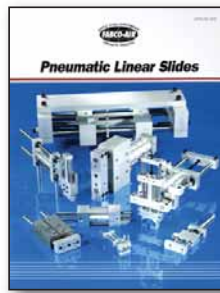
**ISO 6431 Cylinders**  
 Catalog # FAQR-09



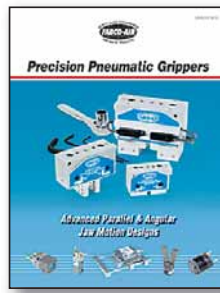
**Twin Rod, Non-Rotating Air Cylinders** - Catalog # FDF-09 and Catalog # FDXS-09



**Multi-Power® Air Presses**  
 Catalog # FP16



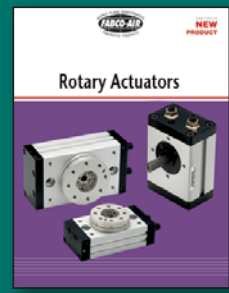
**Linear Slides - 6 Families**  
 Catalog # LS-03



**Pneumatic Grippers, Parallel Jaw and Angular Motion** - Catalog # GR-8



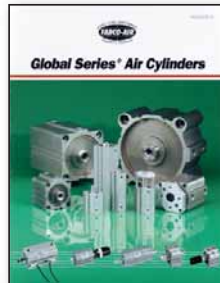
**ISO 6432 Cylinders**  
 Catalog # FAE-09



**Rotary Actuators, Pneumatic**  
 Catalog # FRA-C-09



**NFPA Interchangeable Air Cylinders** - Catalog # NF-6



**Global Series™ Metric Air Cylinders** - Catalog # GC-15



**Stopper Cylinders**  
 Catalog # ST-SC



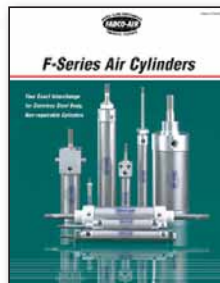
**Angular Grippers**  
 Catalog # FKA-09



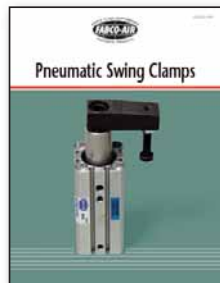
**Air Table Slides**  
 Catalog # FGXS-10



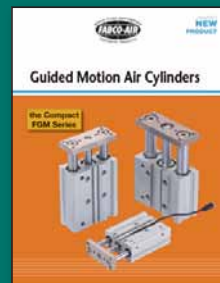
**Modular Air Preparation System - FRLs**  
 Catalog # FRL-06



**Stainless Steel Body Air Cylinders**  
 Catalog # SSB-03



**Swing Clamps**  
 Catalog # SC-DB04



**Guided Motion Air Cylinders**  
 Catalog # FGM-10



**Pneumatic & Hydraulic Swing Clamps**  
 Catalog # FML-H

**Check out these new product lines today !**